

Jacuzzi J-385

Specifications

Seating Capacity	6-7
Dimensions	91" x 91" x 37.50" (231 cm x 231 cm x 95.25 cm); For complete dimensions, see page 84
Perimeter	364 in. (924.6 cm)
Dry Weight	850 lbs (386 kg)
Filled Weight (Spa Volume)	5,771 lbs (2,618 kg)
Filled Weight (Average Fill)	4,686 lbs (2,126 kg)
Water Capacity (Spa Volume)	590 US gallons (2,233 Liters)
Water Capacity (Average Fill)	460 US gallons (1,741 Liters)
Electronic Controls	Solid state electronic controls with LCD readout, programmable temperature, filtration, and heat cycles
Pump 1	North America (60 Hz): 1-Speed, 4.8 HP brake, 2.5 HP continuous, 56 Frame Export (50 Hz): 1-Speed, 2.0 HP continuous
Pump 2	North America (60 Hz): 1-Speed, 4.8 HP brake, 2.5 HP continuous, 56 Frame Export (50 Hz): 1-Speed, 2.0 HP continuous
Circulation Pump	Yes, 8-hour
Heater	North America (60 Hz): 5.5kW High Flow Export (50 Hz) 2.7kW High Flow
Total PowerPro® Jets	51
Seat A Jets	4 PowerPro® FX, 2 PowerPro® FX Large Rotational
Seat B Jets	1 PowerPro® FX Rotational, 2 PowerPro® FX Large
Seat C Jets	2 PowerPro® NX2, 2 PowerPro® FX Rotational, 4 PowerPro® FX, 2 PowerPro® FX Large
Seat D Jets	2 PowerPro® FX Large Rotational
Seat E Jets	10 PowerPro® FX, 2 PowerPro® FX Rotational, 2 PowerPro® BX
Seat E HYDROSOOTHE™ Jets	2 PowerPro® FX Directional with independent flow rate valve
Seat F Jets	2 PowerPro® NX2, 3 PowerPro® MX
Footwell (G)	8 PowerPro® FX Small, 1 PowerPro® FX
Massage Selectors	2
Air Controls	4, On/Off rocker switch air controller
Water Management System	Two 60 ft² Filter cartridges; filter 1 on 8-hour circulation pump; filter 2 on jets pump 1; Factory installed CLEARARRAY Active Oxygen™ Clean Water System Export (50 Hz): Factory installed CLEARARRAY Active Oxygen™ Clean Water System
LED Lighting	One underwater prolite with 4 color modes, one colored waterfall light, cup holders, 2 HYDROSOOTHE pillow lights, and OPTIONAL exterior lights
ProFinish™ Cabinet Colors	Modern Hardwood, Brushed Gray, and Smoked Ebony
Acrylic Colors	Platinum, Silver Pearl, Desert, Monaco, Midnight, Porcelain
Headrests	4
Waterfalls	One independent flow rate (on or off) adjustment; powered by the circulation pump
Electrical Requirements:	North America (60 Hz): 240 VAC@40A, 50A, or 60A Export (50 Hz): 230-240 VAC@1x32A, 1x20A/1x16A, 3x16A or suitably rated circuit breaker to comply with local electrical codes. Certain countries may require dual power inputs; two GFCI RCD breakers are required for this configuration.
Warranty*	North America (60 Hz): 10 Years Shell, 7 Years Shell Surface, 5 Years for Plumbing Component Leaks, 5 Years Equipment and Controls, 5 Years Cabinet, 2 Years Jets, 2 Years Lights, 1 Year Stereo; Export (50 Hz): 10 Years Shell, 7 Years Shell Surface, 5 Years Plumbing Component Leaks, 5 Years Equipment and Controls, 5 Years Cabinet, 2 Years Jets, 2 Years Lights, 2 Years Stereo
Special Features (Optional)	SmartTub™ Module, Exterior Lights
Audio System (Optional)	BLUEWAVE® Spa Stereo System (Bluetooth/Aux compatible) with four speakers and a subwoofer

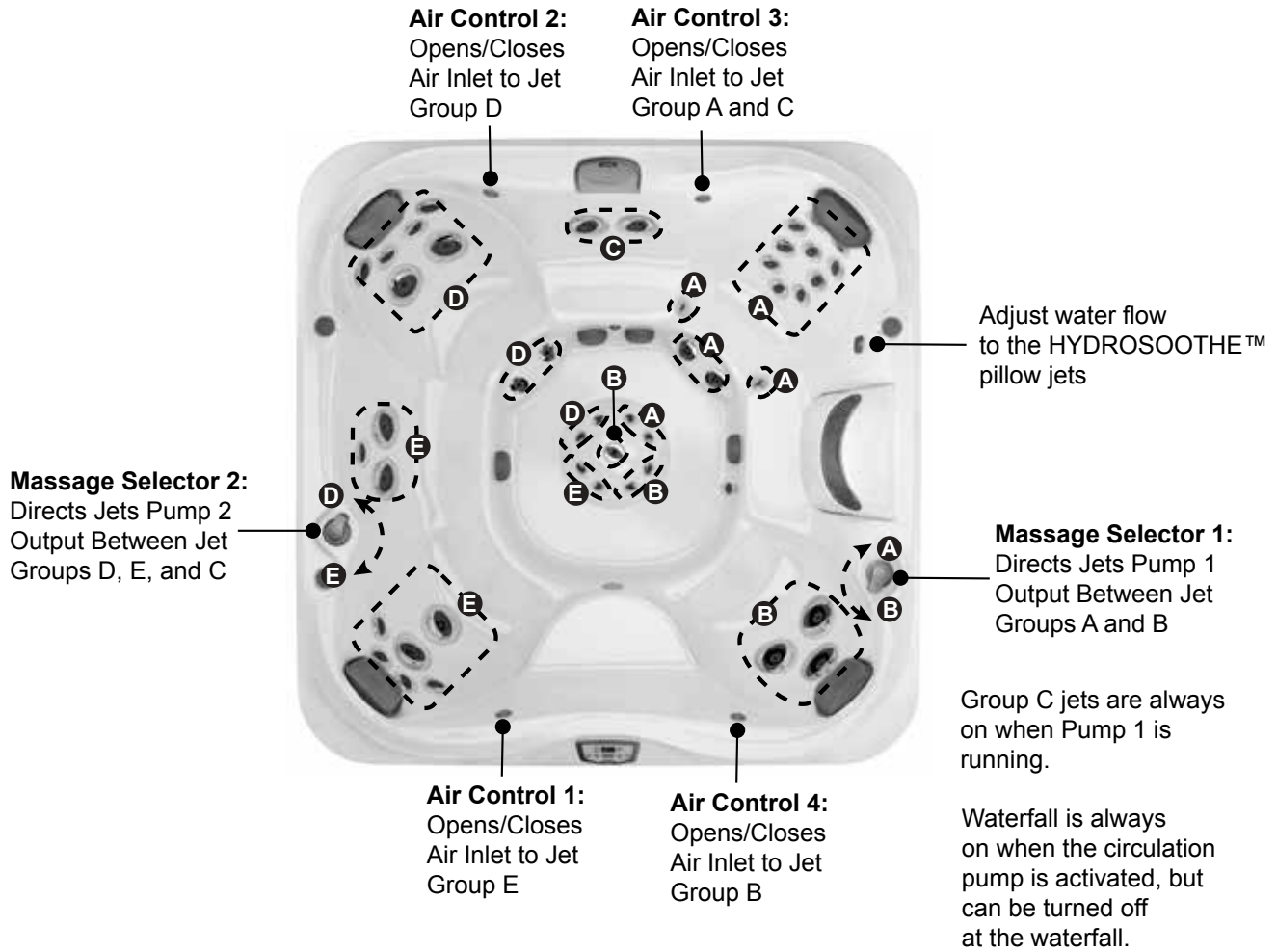


*(See Warranty Document for Specific Details)

Dimensions/Specifications are Subject to Change Without Notice

Jacuzzi J-385

Operation/Seat Depths



51 Total Jets



Spa Operation Subject to Change without Notice

Seat Depths

A = 26.50" (67.31 cm)
B = 25.00" (63.50 cm)
C = 26.75" (67.95 cm)
D = 23.25" (59.06 cm)
E = 28.25" (71.76 cm)

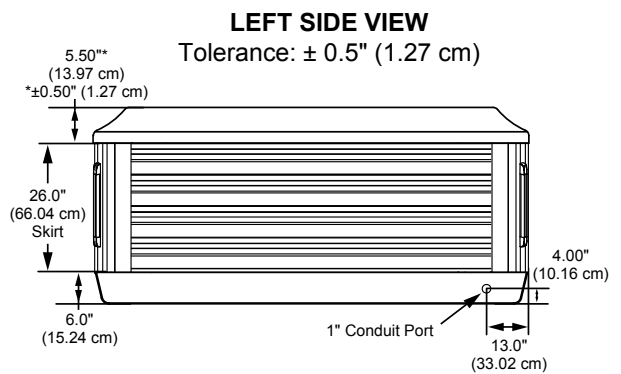
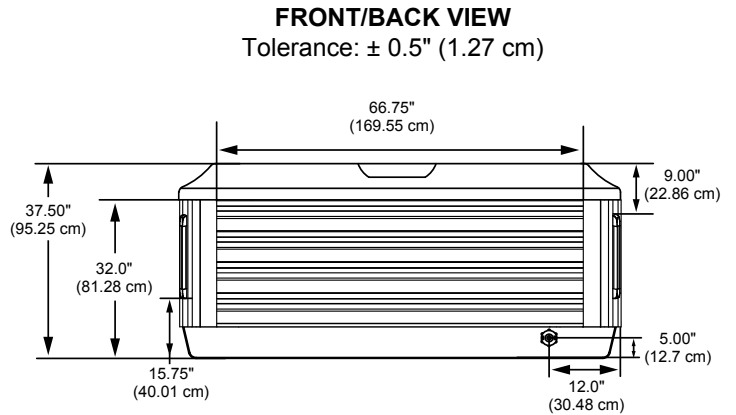
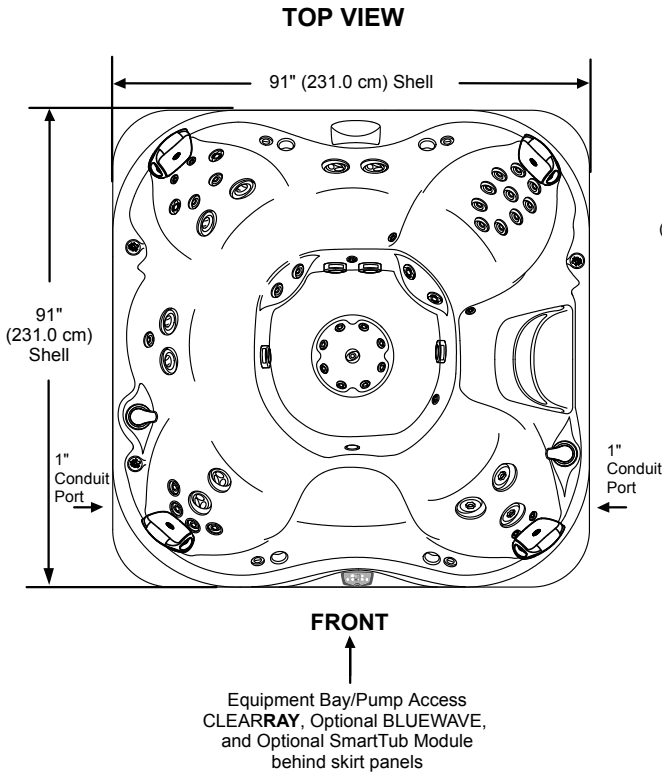
F = 27.13" (68.90 cm)
G = 17.00" (43.18 cm)
H = 33.25" (84.46 cm)

Listed dimensions represent distance from top of acrylic to lowest point in seat. Tolerance $\pm 0.5"$ (1.27 cm).

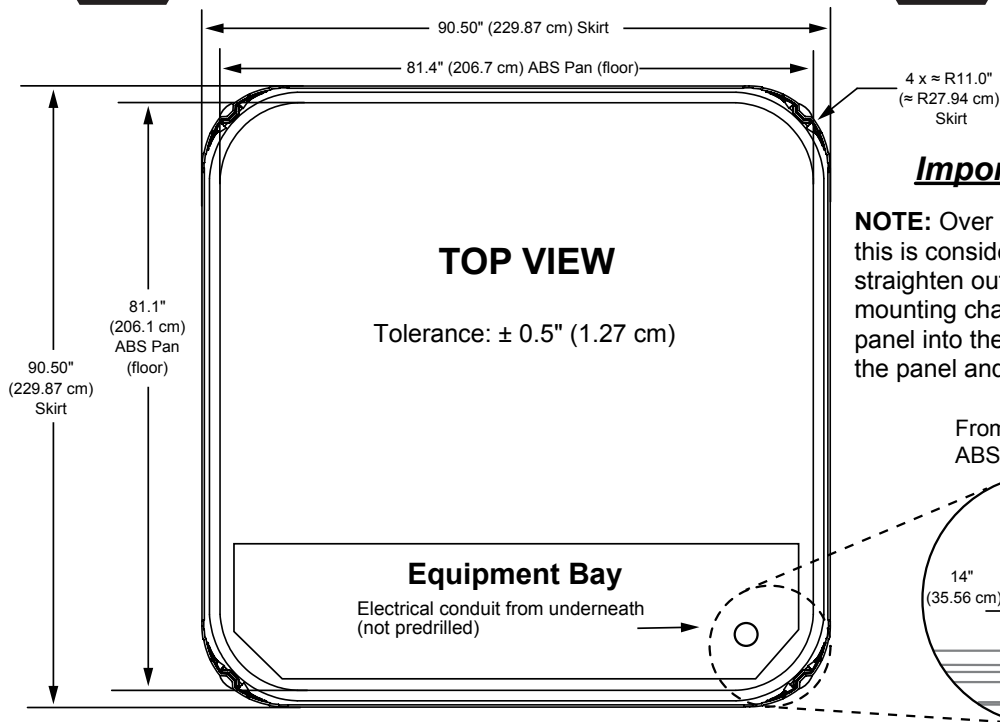


Jacuzzi J-385

Dimensions



IMPORTANT! Always measure each hot tub for exact dimensions **BEFORE** designing its foundational support and/or decking.



Important Panel Details

NOTE: Over time the panel(s) may bow, this is considered normal. The panels will straighten out when reinstalled into the mounting channel. Place one end of the panel into the channel first then flatten the panel and insert the other end.

Dimensions/specifications subject to change without notice. Tolerance $\pm 0.5"$ (1.27 cm)