

Soul 40™ Jets

Specifications

Seating Capacity	6 Adults
Dimensions	78" x 78" x 36" (198 cm x 198 cm x 91 cm);
Perimeter	312 in. (792.5 cm)
Dry Weight	416 lbs (189 kg)
Filled Weight (Spa Volume)	3,894 lbs (1,766 kg)
Filled Weight (Average Fill)	3,001 lbs (1,361 kg)
Water Capacity (Spa Volume) ...	417 US gallons (1,579 Liters)
Water Capacity (Average Fill) ...	310 US gallons (1,173 Liters)
Electronic Controls	Digital Touch Controller. Offers customizing of cleaning cycles and water temperature setting.
Pump 1	North America (60 Hz): 1-Speed, 2.5 HPR
Export (50 Hz):	N/A
Pump 2	North America (60 Hz): 2-Speed, 2.0 HPR
Export (50 Hz):	N/A
Circulation Pump	N/A
Total Jets	40
Seat A Jets	6 DirectionalMax1, 6 DirectionalMax2, 3 DirectMiniMax
Seat B Jets	1 DirectionalMax1, 1 DirectMiniMax
Seat C Jets	6 DirectionalMax2, 2 DirectMiniMax
Seat D Jets	2 DirectionalMax1, 2 DirectMiniMax
Seat E Jets	4 DirectionalMax1, 2 DirectionalMax1, 2 DirectMiniMax
Seat F Jets	1 DirectionalMax1
Footwell (G)	2 DirectionalMax1
Massage Selectors	N/A
Air Controls	3
Water Management System	One Easy Kleen 30 ft ² filter cartridge; Optional factory installed Ozone
Export (50 Hz):	N/A
LED Lighting	Multicolor Waterfall light; Footwell light, Exterior corner lights (8 qty)
Shell/Cabinet Colors	Mystic Sparkle, Tuscan Sparkle, Night Sparkle, Glacier Sparkle
Headrests	3
Waterfalls	One with independent flow rate (on or off) adjustment; powered by pump 1
Heater:	Hi Flow 4kW
Export (50 Hz):	N/A
Electrical Requirements:	North America (60 Hz): 240 VAC@50A
	Export (50 Hz): N/A
Warranty*	North America (60 Hz): 5 Years Shell, 5 Years Shell Surface, 1 Year Plumbing Component Leaks, 1 Year Equipment and Controls, 1 Year Cabinet, 1 Year Jets, 1 Year Lights;
Special Features	Optional Suite Package Add-On

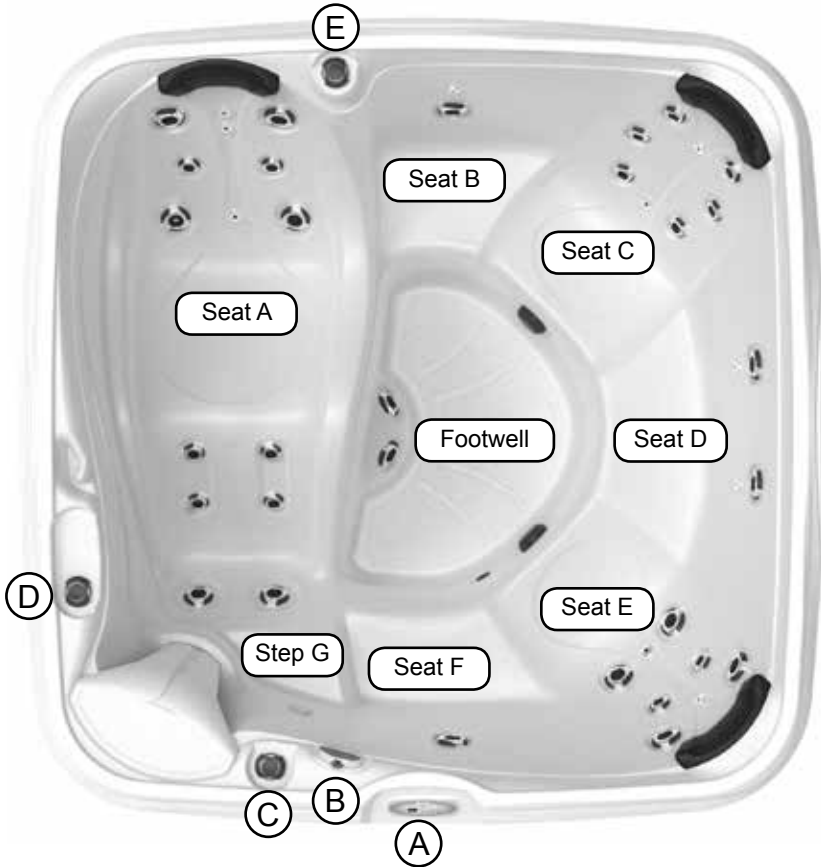


*(See Warranty Document for Specific Details)

Dimensions/Specifications are Subject to Change Without Notice

Soul 40 Jets

Operation/Seat Depths



- (A) Topside Control - Activate Jet Pumps, Light and Control Water Temperature
- (B) Water Feature Control - Controls Water Feature Output.
- (C) Air Control - Activates Seat D Jets (2 DirectionalMax1 Jets, 2 DirectMiniMax Jets), Seat E Jets (4 DirectionalMax1 Jets, 2 DirectionalMax2 Jets, 2 DirectMiniMax Jets), Seat F Jets (1 DirectionalMax1 Jets)
- (D) Air Control - Activates Seat A Jets (6 DirectionalMax1 Jets, 6 DirectionalMax2 Jets, 3 DirectMiniMax Jets)
- (E) Air Control - Activates Seat B Jets (1 DirectionalMax1 Jet, 1 DirectMiniMax Jet), Seat C Jets (6 DirectionalMax2 Jets, 2 DirectMiniMax Jets), Footwell Jets (2 DirectionalMax1 Jets)

40 Total Jets

DirectionalMax1 Jets (16)

DirectionalMax2 Jets (14)

DirectMiniMax Jets (10)



- Jet Pump 1: Seats B, C, D, E, F and footwell jets
- Jet Pump 2: Seat A

Spa Operation Subject to Change without Notice

A = 25.75" (65.40 cm)

B = 24.50" (62.23 cm)

C = 28.00" (71.12 cm)

D = 24.75" (62.86 cm)

E = 26.50" (67.30 cm)

F = 23.25" (59.06 cm)

G = 19.00" (48.26 cm)

H = 34.50" (87.63 cm)

Seat Depths

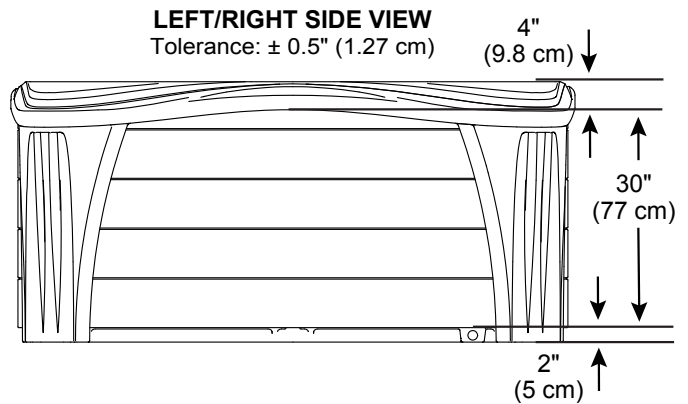
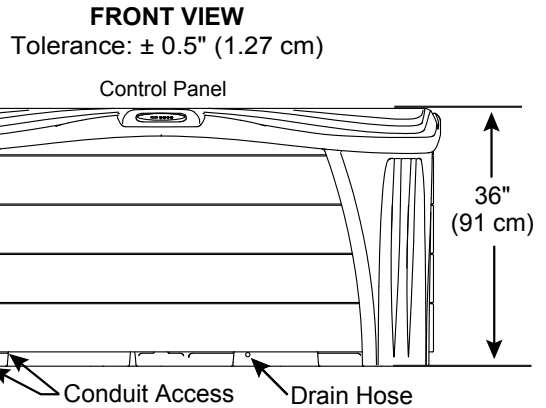
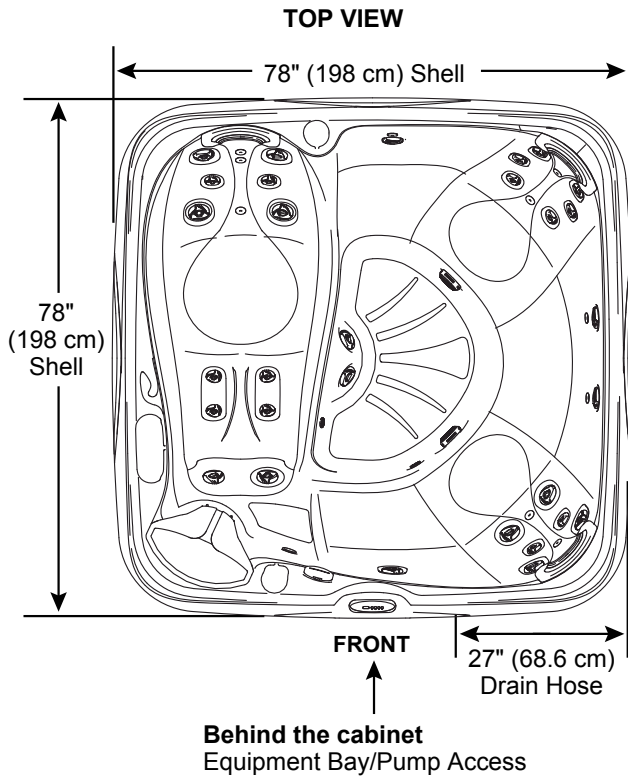
Listed dimensions represent distance from top of spa to lowest point in seat.
Tolerance: $\pm 0.5"$ (1.27 cm)



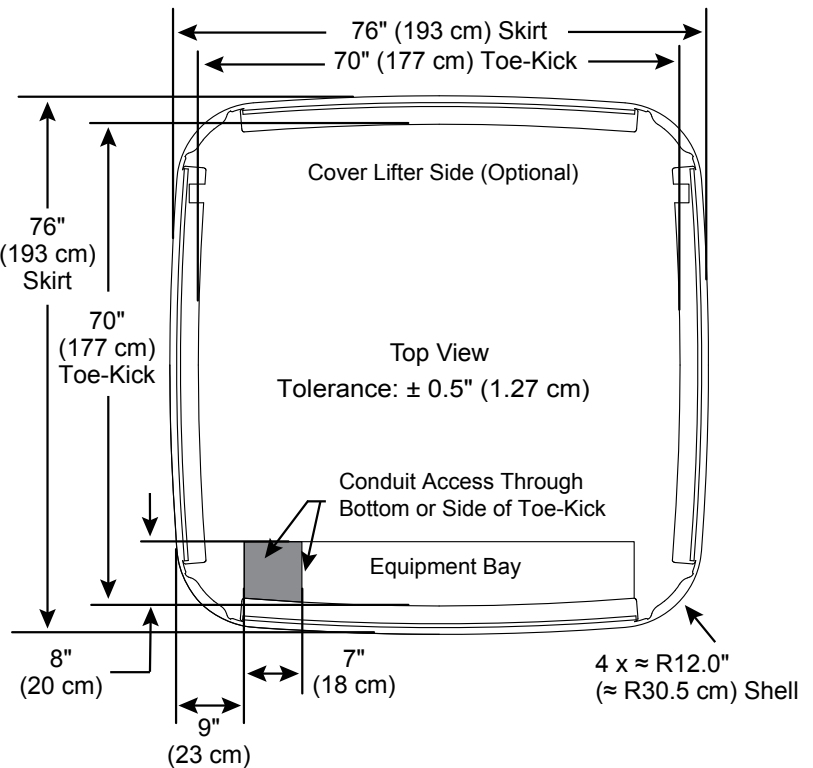
Dimensions/Specifications are Subject to Change Without Notice

Soul 40 Jets

Dimensions



IMPORTANT! Always measure each hot tub for exact dimensions BEFORE designing its foundational support and/or decking.



Dimensions/specifications subject to change without notice. Tolerance $\pm 0.5"$ (1.27 cm)